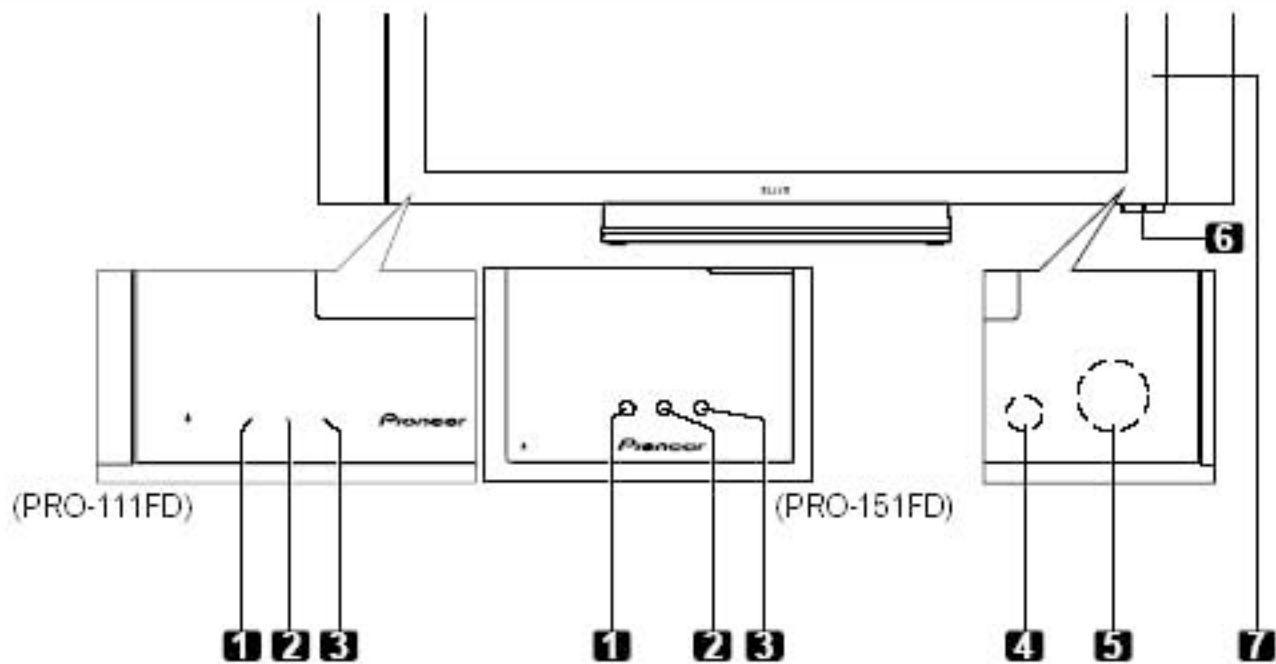


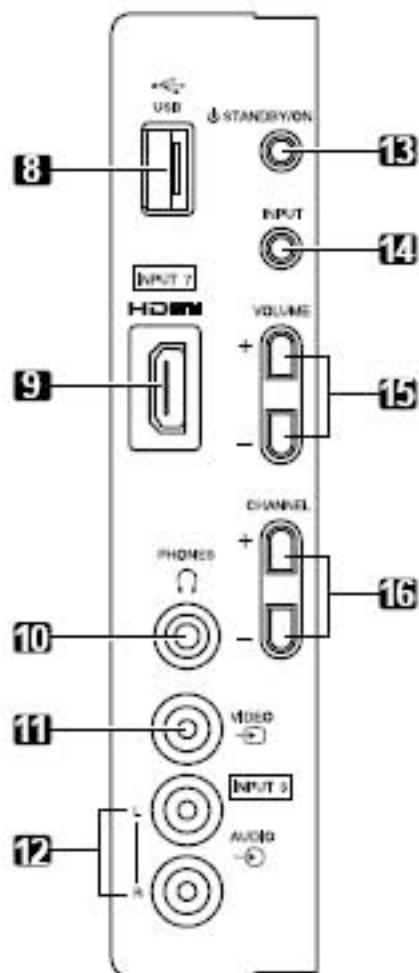
ELITE Series Models: Face of Panel



- 1 - Power ON indicator
- 2 - STANDBY indicator
- 3 - SLEEP indicator

- 4 - Room Light sensor
- 5 - Remote Control sensor
- 6 - Color Sensor
- 7 - Bezel (some call it the front frame)

Command Side of the Panel (left side)



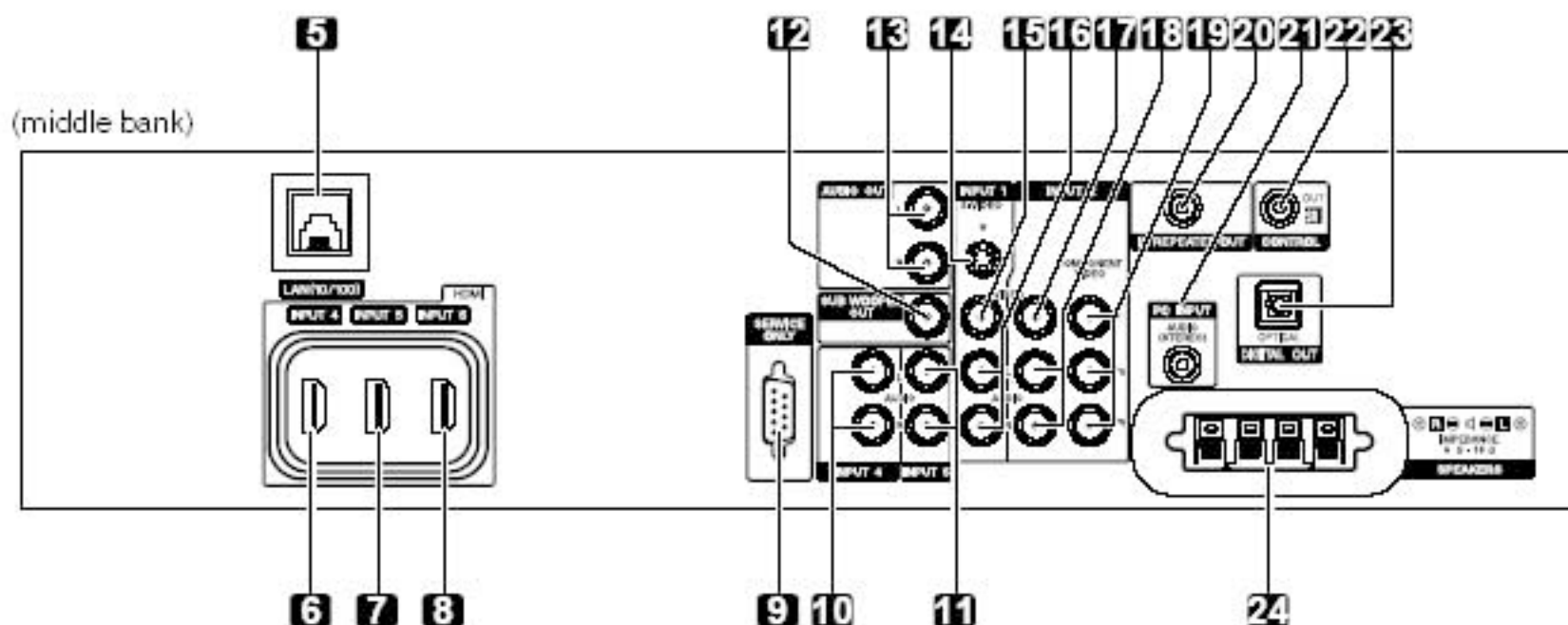
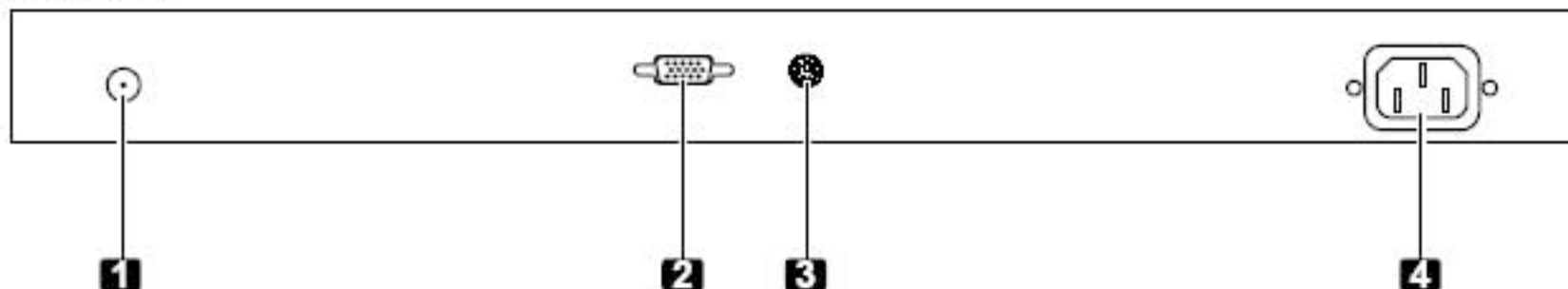
- 8 - USB terminal
- 9 - INPUT 7 terminal (HDMI)
- 10 - PHONES terminal
- 11 - INPUT 3 terminal (Video)
- 12 - INPUT 3 terminals (Audio)
- 13 - STANDBY/ON button
- 14 - INPUT button
- 15 - VOLUME Up/Down buttons
- 16 - CHANNEL Up/Down buttons

Introduction to the ELITE Series Flat Panel TVs

Back of the Panel

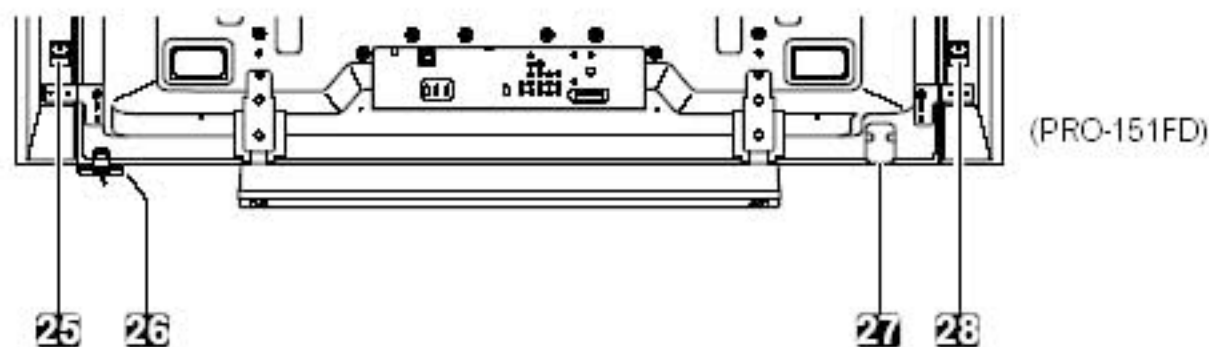
- 1 - ANT terminal
- 2 - PC Input terminal (Analog RGB)
- 3 - Color sensor terminal
- 4 - AC In terminal

(upper bank)



- 5 - Ethernet cable port
- 6 - INPUT 4 terminal (HDMI)
- 7 - INPUT 5 terminal (HDMI)
- 8 - INPUT 6 terminal (HDMI)
- 9 - RC-232C terminal (for factory use)
- 10 - INPUT 4 terminals (Audio)
- 11 - INPUT 5 terminals (Audio)
- 12 - SUB WOOFER OUT terminal
- 13 - AUDIO OUT terminals (Audio)
- 14 - INPUT 1 terminal (S-Video)
- 15 - INPUT 1 terminal (Video)
- 16 - INPUT 1 terminals (Audio)
- 17 - INPUT 2 terminal (Video)
- 18 - INPUT 2 terminals (Audio)
- 19 - INPUT 2 terminals (Component, Y, P_B, P_R)
- 20 - IR REPEATER OUT terminal
- 21 - PC INPUT terminal (Audio)
- 22 - CONTROL OUT terminal
- 23 - DIGITAL OUT terminal (Optical)
- 24 - SPEAKERS (right/left) terminal

(lower bank)



- 25 -Speakers (R) terminal (speaker side)
- 26 -Color Sensor
- 27 -Power On button
- 28 -Speakers (L) terminal (speaker side)

Terminals on side and rear panels are common to both ELITE models.